

Solid Support for Hollow Columns

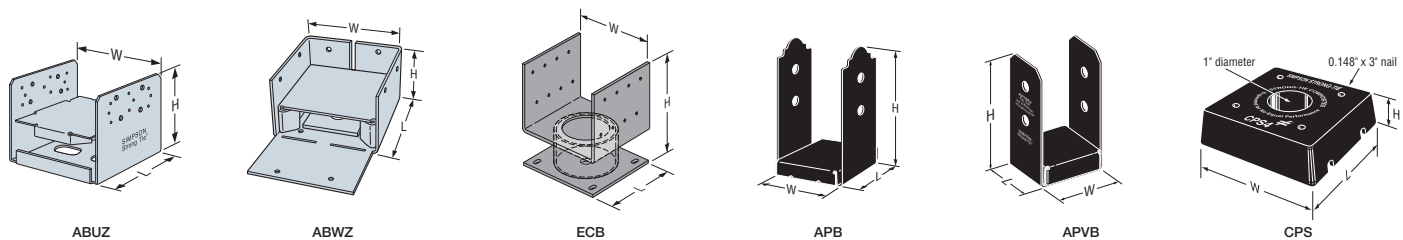


Load-Rated Solutions for Securing Woodtone RealPost™ and AbsolutePost™ Columns



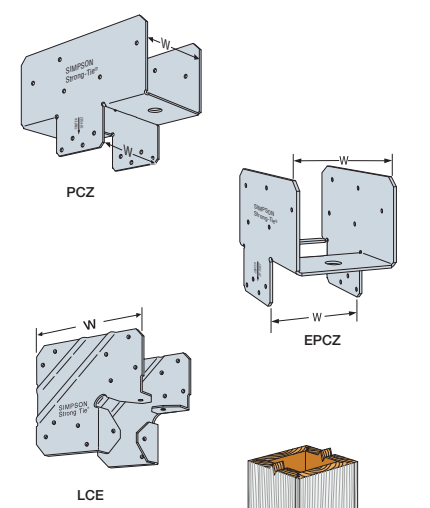
Confidently install Woodtone RealPost and AbsolutePost hollow columns with Simpson Strong-Tie standard post bases and caps. These products have been fully tested and assigned load values specifically for these Woodtone hollow columns.

For more detailed allowable load information, reference the table below, the Woodtone RealPost tables on p. 2, and the Woodtone AbsolutePost tables on p. 3.

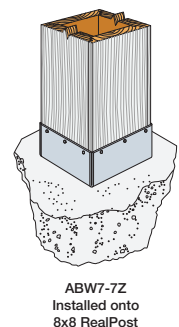


Simpson Strong-Tie® Post Bases Tested with RealPost Columns from Woodtone

Model No.	Woodtone RealPost Size	Dimensions (in.)			Fasteners (in.)		Allowable Loads (lb.)	
		W	L	H	Anchor Dia.	Post	Uplift (160)	Download (100)
ABU44Z	4x4	3 ³ / ₁₆	3	5 ¹ / ₂	5 ⁸ / ₁₆	(12) 0.162 x 3 ¹ / ₂	1,290	6,665
ABW44Z		3 ³ / ₁₆	3 ³ / ₁₆	2 ¹ / ₄	1 ¹ / ₂	(8) 0.148 x 3	845	6,135
APB44		3 ³ / ₁₆	3	7	5 ⁸ / ₁₆	(4) SDWS22312DBB w/ STN	1,035	6,725
APVB44		3 ³ / ₁₆	3	7	5 ⁸ / ₁₆	(4) SDWS22312DBB w/ STN	1,035	6,725
ABU66Z	6x6	5 ¹ / ₂	5	6 ¹ / ₁₆	5 ⁸ / ₁₆	(12) 0.162 x 3 ¹ / ₂	1,950	12,000
ABW66Z		5 ¹ / ₂	5 ⁵ / ₁₆	3	1 ¹ / ₂	(12) 0.148 x 3	1,190	12,935
APB66		5 ¹ / ₂	5	7 ¹ / ₄	5 ⁸ / ₁₆	(4) SDWS22512DBB w/ STN	765	9,045
APVB66		5 ¹ / ₂	5	7 ¹ / ₄	5 ⁸ / ₁₆	(4) SDWS22512DBB w/ STN	765	9,045
ABW7-7Z	8x8	7 ⁵ / ₁₆	7 ⁵ / ₁₆	3	1 ¹ / ₂	(12) 0.148 x 3	840	17,370
APB88		7 ¹ / ₂	7	10 ⁹ / ₁₆	(2) 5 ⁸ / ₁₆	(8) SDWS22312DBB w/ STN	1,805	18,665
APVB88		7 ¹ / ₂	7	10 ⁹ / ₁₆	(2) 5 ⁸ / ₁₆	(8) SDWS22312DBB w/ STN	1,805	18,665



- Uplift loads have been increased for wind or earthquake with no further increase allowed. Reduce where other loads govern.
- Downloads may not be increased for short-term loading.
- Specifier to design concrete for uplift capacity.
- ABU allowable loads listed are for applications with nails only. Bolted connections have not been evaluated.
- Downloads shall be reduced where limited by the capacity of the post. Contact Woodtone for information on post capacities.
- WoodTone RealPost net outside dimensions: 4x4 = 3³/₁₆" x 3³/₁₆", 6x6 = 5⁵/₁₆" x 5⁵/₁₆", 8x8 = 7⁵/₁₆" x 7⁵/₁₆".
- Fasteners:** Nail dimensions are listed diameter by length. SDWS22312DBB = 0.22" dia. x 3¹/₂" long inserted through STN22 washer, SDWS22512DBB = 0.22" dia. x 5¹/₂" long inserted through STN22 washer. (Fasteners and washers sold separately.)



RealPost™ – Structural Posts from Woodtone



Simpson Strong-Tie® Standoff Bases Tested with RealPost Columns from Woodtone

Model No.	Woodtone RealPost Size	Dimensions (in.)			Fasteners (in.)		Allowable Download (lb.) (100)
		W	L	H	Anchor Dia.	Post	
CPS4-R	4x4	3¼	3¼	1	⅝	(4) 0.148 x 3	5,480
CPS6	6x6	5⅝	5⅝	1	⅝	(4) 0.148 x 3	9,010
CPS7	8x8	7¼	7¼	1¼	⅝	(4) 0.148 x 3	9,595

- Downloads may not be increased for short-term loading. No uplift loads apply.
- Specifier to design positive attachment to foundation.
- Downloads shall be reduced where limited by the capacity of the post. Contact Woodtone for information on post capacities.
- WoodTone RealPost net outside dimensions: 4x4 = 3⅝" x 3⅝", 6x6 = 5⅝" x 5⅝", 8x8 = 7⅞" x 7⅞".
- Nail dimensions are listed diameter by length.

Simpson Strong-Tie ECB Column Bases Tested with RealPost Columns from Woodtone

Model No.	Woodtone RealPost Size	Dimensions (in.)			Fasteners (in.)			Allowable Loads (lb.)				
		W	L	H	Anchorage Diameter		Post	Uplift (160)		Download (100/115/125)		
					To Concrete	To Wood		(1) Center Anchor	(4) Corner Fasteners	Over Concrete Support	Over DF/SP Support	Over SPF Support
ECB66	6x6	5½	5¼	6¼	(1) ½	(4) ¼	(16) 0.148 x 1½	2,125	1,920	12,780	8,495	6,390
ECB88	8x8	7¼	7	6¼	(1) ½	(4) ¼	(16) 0.148 x 1½			11,230	10,580	7,955

- Uplift loads have been increased for wind or earthquake loading with no further increase allowed. Reduce where other loads govern.
- Downloads may not be increased for short-term loading.
- Specifier to design wood or concrete support and anchorage for uplift loads.
- (2) ½" standard cut washers are required between the ½" anchor bolt or nut and the post base.
- Downloads shall be reduced where limited by the capacity of the post. Contact Woodtone for information on post capacities.
- Nail dimensions are listed diameter by length.

Simpson Strong-Tie Post Caps Tested with RealPost Columns from Woodtone

Model No.	Woodtone RealPost Size	W (in.)	Fasteners (in.)		Allowable Uplift Load (lb.) (160)	
			Post	Beam	PC	EPC
PC4Z / EPC4Z	4x4	3⅝	(8) 0.148 x 3	(10) 0.148 x 3	1,005	1,005
			(8) #9 x 1½	(10) #9 x 1½	1,795	1,165
PC6Z / EPC6Z	6x6	5½	(8) 0.148 x 3	(10) 0.148 x 3	925	900
			(8) #9 x 1½	(10) #9 x 1½	1,465	1,400
PC8Z / EPC8Z	8x8	7½	(8) 0.148 x 3	(10) 0.148 x 3	730	730
			(8) #9 x 1½	(10) #9 x 1½	1,280	1,280

Model No.	Woodtone RealPost Size	W (in.)	Fasteners (in.)		Allowable Uplift Load (lb.) (160)
			Post	Beam	
LCE4	4x4	5⅝	(14) 0.162 x 3½	(10) 0.162 x 3½	1,395

- Allowable loads have been increased for wind or earthquake with no further increase allowed. Reduce where other loads govern.
- Loads for LCE4 apply only when used in pairs.
- Uplift loads do not apply to splice conditions. Spliced conditions must be detailed by the designer to transfer tension loads between spliced members by means other than the post cap.
- Lateral load for LCE4 is 1,425 lb. Lateral loads for PCZ/EPCZ post caps have not been evaluated.
- Woodtone RealPost net outside dimensions: 4x4 = 3⅝" x 3⅝", 6x6 = 5⅝" x 5⅝", 8x8 = 7⅞" x 7⅞".
- Fasteners: Nail dimensions are listed diameter by length. SD screws are Simpson Strong-Tie Strong-Drive® SD Connector screws.

AbsolutePost™ — Structural Posts from Woodtone

Simpson Strong-Tie® Post Bases Tested with AbsolutePost Columns from Woodtone

Model No.	Woodtone AbsolutePost Size	Dimensions (in.)			Fasteners (in.)		Allowable Loads (lb.)	
		W	L	H	Anchor Dia.	Post	Uplift (160)	Download (100)
ABU66Z	6x6	5½	5	6⅞	⅝	(12) 0.148 x 1½	1,950	12,625
ABW66Z		5½	5⅞	3	½	(12) 0.148 x 1½	900	12,935
APB66		5½	5	7¼	⅝	(4) SDWS22312DBB w/ STN	765	9,045
APVB66		5½	5	7¼	⅝	(4) SDWS22312DBB w/ STN	765	9,045
ABU88Z	8x8	7½	7	7	(2) ⅝	(18) 0.148 x 1½	2,180	20,060
ABW7-7Z		7⅞	7⅞	3	½	(12) 0.148 x 1½	675	14,530
APB88		7½	7	10⅞	(2) ⅝	(8) SDWS22312DBB w/ STN	1,715	18,665
APVB88		7½	7	10⅞	(2) ⅝	(8) SDWS22312DBB w/ STN	1,715	18,665

- Uplift loads have been increased for wind or earthquake with no further increase allowed. Reduce where other loads govern.
- Downloads may not be increased for short-term loading.
- Specifier to design concrete for uplift capacity.
- ABU allowable loads listed are for applications with nails only. Bolted connections have not been evaluated.
- Downloads shall be reduced where limited by the capacity of the post. Contact Woodtone for information on post capacities.
- Woodtone AbsolutePost net outside dimensions: 6x6 = 5½" x 5½", 8x8 = 7¼" x 7¼".
- Fasteners:** Nail dimensions are listed diameter by length. SDWS22312DBB = 0.22" dia. x 3½" long inserted through STN22 washer.

Simpson Strong-Tie Standoff Bases Tested with AbsolutePost Columns from Woodtone

Model No.	Woodtone AbsolutePost Size	Dimensions (in.)			Fasteners (in.)		Allowable Download (lb.) (100)
		W	L	H	Anchor Dia.	Post	
CPS6	6x6	5⅞	5⅞	1	⅝	(4) 0.148 x 1½	8,335
CPS7	8x8	7¼	7¼	1¼	⅝	(4) 0.148 x 1½	9,320

- Downloads may not be increased for short-term loading. No uplift loads apply.
- Specifier to design positive attachment to foundation.
- Downloads shall be reduced where limited by the capacity of the post. Contact Woodtone for information on post capacities.
- Woodtone AbsolutePost net outside dimensions: 6x6 = 5½" x 5½", 8x8 = 7¼" x 7¼".
- Nail dimensions are listed diameter by length.

Simpson Strong-Tie ECB Column Bases Tested with AbsolutePost Columns from Woodtone

Model No.	Woodtone AbsolutePost Size	Dimensions (in.)			Fasteners (in.)			Allowable Loads (lb.)				
		W	L	H	Anchorage Diameter		Post	Uplift (160)		Download (100/115/125)		
					To Concrete	To Wood		(1) Center Anchor	(4) Corner Fasteners	Over Concrete Support	Over DF/SP Support	Over SPF Support
ECB66	6x6	5½	5¼	6¼	(1) ½	(4) ¼	(16) 0.148 x 1½	2,125	1,920	12,780	8,495	6,390
ECB88	8x8	7¼	7	6¼	(1) ½	(4) ¼	(16) 0.148 x 1½			11,230	10,580	7,955

- Uplift loads have been increased for wind or earthquake loading with no further increase allowed. Reduce where other loads govern.
- Downloads may not be increased for short-term loading.
- Specifier is to design wood or concrete support and anchorage for uplift loads.
- (2) ½" standard cut washers are required between the ½" anchor bolt or nut and the post base.
- Downloads shall be reduced where limited by the capacity of the post. Contact Woodtone for information on post capacities.
- Nail dimensions are listed diameter by length.

Simpson Strong-Tie Post Caps Tested with AbsolutePost Columns from Woodtone

Model No.	Woodtone AbsolutePost Size	W (in.)	Fasteners (in.)		Allowable Uplift Load (lb.) (160)	
			Post	Beam	PC	EPC
PC6Z / EPC6Z	6x6	5½	(8) 0.148 x 1½	(10) 0.148 x 1½	925	900
PC8Z / EPC8Z	8x8	7½	(8) 0.148 x 1½	(10) 0.148 x 1½	730	765

Model No.	Woodtone AbsolutePost Size	W (in.)	Fasteners (in.)		Allowable Uplift Load (lb.) (160)
			Post	Beam	
LPC6Z	6x6	5⅞	(8) 0.148 x 1½	(10) 0.148 x 1½	920

- Allowable loads have been increased for wind or earthquake with no further increase allowed. Reduce where other loads govern.
- Uplift loads do not apply to splice conditions. Spliced conditions must be detailed by the designer to transfer tension loads between spliced members by means other than the post cap.
- Woodtone AbsolutePost net outside dimensions: 6x6 = 5½" x 5½", 8x8 = 7¼" x 7¼".
- Loads for LPC6Z apply only when used in pairs.
- Nail dimensions are listed diameter by length.